



FOUR DEAD

Official Newsletter of the Idaho Horseshoe Pitcher's Association



Volume XXVIII, #3

Fall 2017

President's Message



Wow! What a great year we all had! The fun we shared with each other by throwing shoes and being together. I hope you were able to work on and accomplish the goals you set out to accomplish this season. I did not get my goal of pitching a 30% tournament but I did pitch

a 47.5% game at Worlds in St. George, and I was tied for first with four other pitchers. I didn't pitch well in my playoff game, but I took 3rd place in my class. It was a great time, and I hope you are all making plans to go to Florence, South Carolina, July 9-21, 2018. I am eager to get back to practicing every day and working on the 30% tournament and ringer percentage goal that I want to achieve. But the best part of pitching horseshoes is the people I associate with and the friendships I make and keep. Thank you for coming out and being a part of my horseshoe family. That's what makes this sport a joy to participate in.

Melanie and I had a great time in St. George, Utah pitching in the 2017 World Tournament. Melanie took 2nd and I took 3rd in our classes. She always has to keep bragging rights in the Poole household! We had a great time scorekeeping, judging, and renewing and making new friendships.

I hope all of our clubs are working on their schedule for 2018. We will publish it in our Spring issue that we will mail to everyone. If you could please help us by sending your email address to Carol so that we can keep our printing and mailing costs to a minimum. That way we can use those funds to help promote our sport and get new members joining and participating with us.

Here are a few announcements for this coming year:

NHPA World Tournament will be held at Florence, South Carolina July 9 - 21, 2018. Entry deadline is May 14, 2018. Remember you need 4 tournaments to be eligible to pitch at the World Tournament. Make your plans now to attend. Here is the link to the entry form: <http://www.ipitchomaha.com/wtentryform.html>.

You can always stay informed by going to www.horseshoepitching.com.

If you need your 2018 card, contact Carol at idkegler@aol.com. Once she has your info and payment, she will send one to you.

Idaho State Doubles will be in Pocatello on Saturday July 28, 2018 at Ross Park. I hope you can put it on your calendar and make this tournament what it should be and let's fill our courts.

Idaho State Singles will be in Meridian, Idaho, August 25 - 26, 2018 at Settlers Park. We're planning on the same format, and please register by 8pm on August 23, so that we can get the classes setup. We will have a Friday night Pre-State tournament for all who show up by 6 pm. We will put you in 4-person mixed classes for a fast 40 shoe three game tournament. If you have any questions for the Treasure Valley club, contact Pep or Jerry.

Just a reminder that we voted on not mailing out paper newsletters, so if you know someone who wants to read it, please help them out by sharing this with them or getting their email to Carol and Kay. We will "snail mail" the Spring issue so that everyone gets the 2018 ISHPA Tournament schedule.

Thanks again for all you do to help grow this sport in Idaho. Have a great holiday season and I hope 2018 finds you healthy, happy and pitching many ringers!

Brian J Poole, ISHPA President
208-237-3459
bjpoole3564@gmail.com

Dollars and Sense



Hello fellow Idaho pitchers. It's coming soon. What you say? A new year. I have the 2018 cards and ready to start issuing them when you send me the new amount of \$35.00. NHPA voted last year to raise the dues by \$8.00 and we at state raised our dues by \$2.00. Which makes the total due \$35.00.

I am hoping all of us can get some new members. Membership numbers are slowly going down. Let's all try to get one new person signed up this year.

And the Idaho State organization would like to recognize the following people for their time pitching horseshoes:

Doug Palmer	30 years
Keith Lewis	20 years
Lynn Crouse	10 years
Dave Cazel	10 years

Have a Happy New Year, and I'll be seeing you all in 2018.

Carol Plummer, ISHPA Secretary/Treasurer
208-484-4685
idkegler@aol.com



Meet the New 1st VP



I am your new 1st vice president for the next two years. I began pitching when I was growing up in Alaska. I have been pitching in tournaments here in Idaho since the nineties. Fifteen years ago, I was the Regional Director for Idaho and held that role until my life was just too busy. My

professional life is very busy working as a nurse manager at a small hospital.

I have seen many horseshoe players give up the game in the last few years as our NHPA members keep going down. I don't know the answer to get the numbers back up. I would like to go to tournaments and have competitive classes where I

am challenged but not out of my class. To get this accomplished we need more players. Sounds easy to do, but in reality it is challenging.

This last summer I was pitching in a horseshoe pitching tournament in Meridian and we had this group of people that showed up. They were not there to pitch horseshoe but were there to set up a tournament for "corn hole." This is a game where you throw a bean bag into a hole that is cut out on a wooden platform. This game is about as "boring" as horseshoes from a viewing perspective. This group started to set up in the horseshoe courts as we were playing; yes, we stopped them and said they could set up in the courts we were not using. We had 12 horseshoe pitchers that day so we were using probably six courts out of the sixteen courts. These "corn hole" players set up about ten of the courts and waited for us to finish which was about one o'clock in the afternoon. They finished setting up for their "corn hole" tournament and used all of our courts placing their "corn hole" platforms in the horseshoe courts.

I noticed some distinct differences between the horseshoe tournament and the corn hole tournament. The differences being: they had sponsors and placed sponsor cards at the end of each court, they had many more players, they had music going and a picnic atmosphere (although you could tell they took their sport seriously), and it appeared to be a younger crowd.

As a group we need to find new ways to attract players. As the 1st vice president I hope to bring new ideas where we can hopefully recruit new members for the long term. Let's all go out and try to get one person involved in the game.

Sincerely, Rodney Pickering



Like us on Facebook 

Hall of Fame Report



As the 2017 year finishes up I want to reflect back on the season as far as the Hall of Fame goes. As most people know and several experienced the State Singles was held in CDA this year. I however did not make it this year due to some leg issues (no surgery). I am back on my feet now and practicing at

least twice a week even in the chillier weather as I have a goal to get back where I had my game 10 years ago and it appears I will make it. This is still the hardest game/sport I have ever undertaken.

The Hall of Fame had no inductees in 2017 but I would encourage people to submit names of people you may have known or know that are still with us that have worked tirelessly and put much time and effort in the game. I ask that they have been a member in good standing for a minimum of 10 years and gone beyond and above the call of duty to either promote and organize the game/sport. You can review the bylaws as well to get a refresher on what is expected to be even considered for this. I personally have a minimum of 4 possibly 5 people to induct into the HOF in 2018 at the State singles in Meridian. The names will be revealed in 2018 in the 2nd newsletter of the year (summer issue).

David Spears, HOF Chairperson
dspears1953@gmail.com



Compliment Board

Editor's Note: This new section is to be used for compliments, congratulations, or other positive comments about our sport of horseshoe pitching.

To Gary Opper,

Gary, I want to say thank you for making our Idaho State Horseshoe Championship a World Class Event. You lead the way each year by showing all of us what a World Champion class competitor looks like. We all strive to get better but most of us throw a higher percentage of non-ringers than ringers. I appreciate you setting the bar high, I know that a game with you is a challenge, and that makes practicing a little easier. Most horseshoe pitchers cannot brag about playing a top 10 pitcher but we in Idaho can.

Thanks again,
Jim Price



“Pep Talk” Corner



Happy New Year to all! Another year of horseshoe pitching has arrived. It's my pleasure to continue to serve the ISHPA as its Regional Director.

My main responsibility, as laid out in the ISHPA Bylaws and the NHPA Guidelines for Regional Directors, is to sanction the various

horseshoe courts in Idaho such that they meet the requirements of the NHPA for holding tournaments. The review and inspection of courts must happen on a regular basis. It's critical that all pitchers compete on a level playing field.

Thus, my travels take me around the state to ensure that existing courts meet standards. Over time, stakes can get out of alignment or become too short or tall. On occasion I am needed to inspect new horseshoe courts.

And that's what took me to Moscow last summer to examine the two courts in East City Park.

At State Singles Carol and I spoke with the Moscow area pitchers and learned that those two courts might be close to meeting pitching requirements. So, Carol and I stopped in Moscow on our way home from Coeur d'Alene and met Kay Keskinen at the park to inspect them.

I travel with lots of tools and measuring devices, so I first measured the concrete walkways and backstops and found them to be constructed per the NHPA specifications. But the stakes were



nowhere near requirements. With my trusty long pipe, I was able to put one stake at the correct angle.

Next, I measured the height and angle of the stakes, knowing they would fail my inspection, but I wanted to demonstrate to Kay how to measure them so when they are redone, they will be perfect.

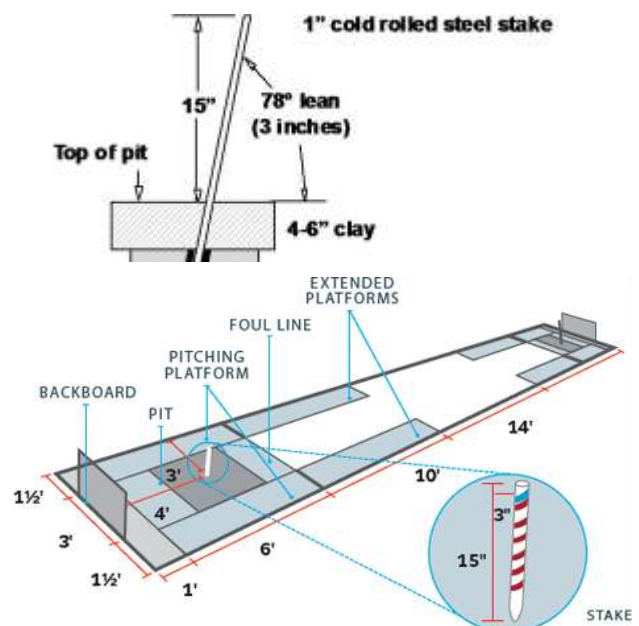


I left Kay with a list of changes that needed to be made before the courts can be approved.

Later in the fall with the leadership and labor of Moscow pitcher John Kauffman, the four stakes were replaced and borders added to the front of the pits. The Moscow pitchers plan to host three summer tournaments, contingent on my inspection and approval of the courts in the spring.

If you have any questions about the requirements for sanctioned courts or want me to inspect your courts, please contact me.

Pep Plummer, Regional Director
208-949-8098
idkegler@aol.com



State Singles Tournament

Congratulations to the 2017 State Champions!

Men: Gary Opper

Women: Kay Keskinen

Elders: Art Ross

Juniors: Jayce Pickering

The Idaho State Singles Championship was held on August 26 & 27 in Coeur d'Alene. The Division Champs were Gary Opper, (his fourteenth) Mens; Kay Keskinen (her third), Womens; Art Ross, (his seventh) Elders and Jayce Pickering (his third) Juniors. The complete results were as follows:

Mens A



Mens A: L-R: Gary Opper, Gary Kollmann, Evan Pickett

#	Name	W	L	Pct.
1.	Gary Opper	12	0	64.34%
2.	Gary Kollmann	10	2	52.08%
3.	Evan Pickett	7	5	43.83%
4.	Jim Price	7	5	40.04%
5.	Mike Beall	3	9	34.79%
6.	Rodney Pickering	2	10	34.35%
7.	Rusty Butterfield	1	11	29.62%

Mens B



Men's B: L-R: Wayne Peterson, Chet Ness, David Ness

1.	Wayne Peterson	9	3	27.08
2.	Chet Ness	8.5	3.5	24.58%
3.	David Ness	7	5	25.63%
4.	Jerry Bengston	6	6	25.83%
5.	Glenn Wessel	5.5	6.5	26.04%
6.	Brian Poole	3	9	20.00%
7.	Jim Robinson	3	9	16.88%

Mens C



Mens C: L-R: David Swenson, Dave Ferebee, Rick Sprague

1.	David Swenson	10	0	28.50%
2.	Dave Ferebee	7	3	15.75%
3.	Rick Sprague	5	5	20.50%
4.	Cory Sturgis	4	6	19.25%
5.	Ray Schoch	4	6	11.75%
6.	Joshua Poole	0	10	5.50%

Elders A



Elders A: L-R: Art Ross, Dan Rollins, Pep Plummer

1.	Arthur Ross	10	0	66.86%
2.	Dan Rollins	6	4	44.70%
3.	Pep Plummer	6	4	42.82%
4.	Homer Kleinsmith	6	4	41.36%
5.	Roger Baker	2	8	38.57%

Elders B

1.	Doug Palmer	10	2	31.67%
2.	Lynn Crouse	9	3	30.83%
3.	Tom Gasper	5	7	23.13%
4.	David Cazel	0	12	11.04%



Elders B: L-R: Doug Palmers, Lynn Crouse



Spirit Award went to Teresa Brown

Womens A



Womens A: L-R: Kay Keskinen, Karen Wickham, Darla Wessel

1.	Kay Keskinen	7	1	50.00%
2.	Karen Wickham	5	3	46.82%
3.	Darla Wessel	4	4	40.43%
4.	Laurie Dale	4	4	39.56%
5.	Teresa Brown	0	8	26.85%



Lunch

Junior



1.	Jayce Pickering	0	10	19.01%
----	-----------------	---	----	--------



Minutes of Annual State Meeting

On August 26, 2017 in Winton Park in Coeur d'Alene, Idaho, President Brian Poole called the annual State Meeting of the Idaho State Horseshoe Pitchers Association to order at 2: 21 PM.



The minutes of the 2016 Annual Meeting were published in last fall's issue of *Four Dead* and were not read. Copies were available for those who wanted them. A motion was made by Wayne Peterson and seconded by Jim Robinson that that we accept the minutes as written. Motion carried.

The financial report was presented by Secretary/Treasurer Carol Plummer. She stated that a numerical error was made last year, and she and Jerry Smith corrected the mistake to get an accurate financial statement. A motion was made by Jim Robinson and seconded by Laurie Dale to accept the financial statement. Motion carried.

Reports from Officers:

Secretary/Treasurer Carol Plummer reported that membership was 96 for the year, down from about 120 last year.

Old Business:

Website maintenance fees: It was moved by Darla Wessel that we continue to pay webmaster Steve Summerlin \$50.00 for the year, seconded by Karen Wickham. Motion carried.

Newsletter: Editor Kay Keskinen mentioned that more tournament and club pictures would be appreciated for the *Four Dead* newsletter. Carol reminded members that they should sign up to receive electronic copies of the NHPA *Newsline* newsletter; it's free.

New Business:

Dues: The NHPA has increased its annual dues by \$8.00 per year. A discussion was held about increasing the ISHPA annual dues beyond the required \$8 for the NHPA. A motion was made by Kay Keskinen, seconded by Wayne Peterson, to amend the ISHPA Bylaws Article III (Membership) to increase state dues

by \$2.00, one dollar of which would go to the State prize fund. More discussion ensued, some saying that this issue was a major change to our Bylaws and should go to a ballot vote. President Brian Poole made an executive decision that this motion was not a major issue, declaring it was minor, so a vote by hands could be taken. Motion was approved to raise state dues by \$2.00 with 25 members voting "yes" with no "no" votes.

A motion was made to correct the spelling and punctuation of Article III (Membership) in the Bylaws. This motion was passed, and Kay Keskinen will do the rewriting.

David Cazel made a motion to rewrite our state Bylaws to remove the ballot vote option. Discussion followed, and after much debate of this issue, it was decided that David Cazel would write a motion to get rid of the ballot vote and work with Brian to have this major change be a ballot vote amending our Bylaws.

Hall of Fame: A suggestion was made to induct Keith Lewis into the Hall of Fame. This suggestion will be forwarded to David Spears, Hall of Fame chair.

Tournament Sites 2018: Pocatello will host the State Doubles tournament sometime around the end of July. State Singles will be held in Meridian the weekend before Labor Day.

Elections of Officers: Rodney Pickering was presented for 1st Vice President. Motion to close nominations was made by Kay Keskinen, seconded by Jim Robinson, and motion carried. Rodney Pickering was approved by all to be the 1st Vice President for 2018-2019.

Carol Plummer was presented for Secretary/Treasurer. Motion to close nominations was made by Doug Palmer, seconded by Evan Pickett, and motion carried. Carol Plummer was approved by all to be the Secretary/Treasurer for 2018-2019.

Door prizes: Various door prizes were awarded by numbers drawn.

Motion was made by Jim Price, seconded by Laurie Dale to adjourn the meeting. Motion approved; meeting was adjourned at 3:16 PM.

Carol Plummer
Secretary/Treasurer

Idaho Tournaments 2017

Bill Travis Memorial

Boise		May 7, 2017	
Class A			
1.	Gary Kollmann	6	1 51.67%
2.	Rodney Pickering	7	2 31.67%
3.	Jayce Pickering	4	4 30.63%
4.	David Swenson	2	6 11.25%
5.	David Spears	0	8 15.94%

Juneteenth/ Utah Invitational

Pocatello		June 17, 2017	
Class A			
1.	Dan Rollins	6	1 41.07%
2.	Ken Fuller	5	2 48.50%
3.	Jim Price	5	2 41.43%
4.	Evan Pickett	4	3 38.57%
5.	Gary Curtis	3	4 37.14%
6.	Don Ashford	3	4 35.00%
7.	Otto Dameron	2	5 35.36%
8.	Denise Freier	0	7 32.14%
Class B			
1.	Gayden Nelson	6	0 39.17%
2.	Juan Hernandez	4	2 38.33%
3.	Blaine Scott	4	2 31.25%
4.	Doug Palmer	3	3 35.83%
5.	Carey Jennings	2	4 40.42%
6.	Jim Robinson	1	5 27.50%
7.	Danny Hendricks	1	5 24.17%
Class C			
1.	Steve Lewis	4	0 20.63%
2.	Leslie Nelson	2	2 13.13%
3.	Dawna Parris	2	2 10.63%
4.	Durell Lewis	1	3 21.25%
5.	Steve Cornwell	1	3 10.63%

12th Annual Portneuf Valley Shootout

Pocatello		August 12, 2017	
Class A			
1.	Dan Rollins	6	0 50.33%
2.	Jim Price	3	3 48.67%
3.	Nanette Spangler	2	4 28.33%
4.	Brent Wood	1	5 37.67%
Class B			
1.	Teresa Brown	3	1 28.13%
2.	Richard Vaughn	3	1 27.50%
3.	Shawn Huntington	2	2 27.50%
4.	Brian Poole	2	2 22.50%
5.	Rick Sprague	0	4 16.25%

Class C			
1.	Stewart Brown	5	1 20.00%
2.	Joseph O'Rayehn	3	3 16.25%
3.	Mary Blattner	3	3 11.25%
4.	Lori Powell	1	5 13.33%

2017 Inland Empire Memorial

Coeur d'Alene		August 19, 2017	
Class A			
1.	Earl Hertlein	4	0 57.00%
2.	Kay Keskinen	3	1 53.50%
3.	Roger Baker	2	2 41.00%
4.	Laurie Dale	1	3 41.00%
5.	Lynn Crouse	0	4 24.50%
Class B			
1.	Homer Kleinsmith	5	0 41.50%
2.	Darla Wessel	4	1 42.00%
3.	Glen Wessel	2	3 37.00%
4.	Wayne Peterson	2	3 31.00%
5.	Mike Watcher	1	4 32.00%
6.	Tom Gasper	1	4 27.50%
Class C			
1.	David Ness	4	0 24.50%
2.	Chet Ness	2	2 29.00%
3.	Rusty Butterfield	2	2 28.50%
4.	David Cazel	2	2 17.50%
5.	Ray Schoch	0	4 6.00%



Inland Empire Memorial Class Winners: L-R: Earl Hertlein, Kay Keskinen, Roger Baker, Homer Kleinsmith, Darla Wessel, Glen Wessel, David Ness, Chet Ness, Rusty Butterfield

Pre-State Warmup

Coeur d'Alene		August 25, 2017	
Class A			
1.	Laurie Dale	3	0 36.67%
2.	Arthur Ross	2	1 66.67%
3.	Evan Pickett	1	2 38.33%
4.	Earl Hertlein	0	3 40.00%
Class B			
1.	Pep Plummer	3	0 42.50%
2.	Doug Palmer	2	1 30.00%
3.	Glen Wessel	1	2 42.50%
4.	Mike Beall	0	3 23.33%

Class C

1. Rusty Butterfield	3	0	38.3%
2. Mike Watcher	2	1	34.17%
3. Jim Robinson	1	2	24.17%
4. Wayne Peterson	0	3	17.50%

Class D

1. David Swenson	4	0	26.25%
2. Lynn Crouse	3	1	21.25%
3. David Cazel	2	2	23.75%
4. Dave Ferebee	1	3	20.00%
5. Joshua Poole	0	4	3.75%

Parks & Recs.

Nampa

September 9, 2017

Class A

1. Gary Kollmann	4	0	58.50%
2. Ray Carpenter	2	2	32.50%
3. Pep Plummer	1.5	2.5	34.05%
4. Jerry Smith	1.5	2.5	30.00%
5. Rodney Pickering	1	3	38.50%

Class B

1. David Swenson	6	0	31.25%
2. David Schutte	3	3	20.42%
3. Todd Van Sickle	2	4	25.00%
4. Brandon Thompson	1	5	15.83%

Pumpkin Shootout

Meridian

September 23, 2017

Class A

1. Ken Fuller	4	0	55.50%
2. Gary Kollmann	3	1	47.00%
3. Randy De Jong	2	2	31.50%
4. Clyde Marquez	1	3	28.50%
5. Mike Beall	0	4	32.00%

Class B

1. Jerry Smith	4	0	36.50%
2. Todd Van Sickle	3	1	24.50%
3. John Sproul	2	2	11.50%
4. David Schutte	1	3	16.00%
5. Larry Miller	0	4	1.00%

Autumn Classic #4

Meridian

October 1, 2017

Class A

1. Rodney Pickering	4	1	43.00%
2. Pep Plummer	3	2	35.00%
3. David Schutte	3	2	27.00%
4. Gary Kollmann	3	2	43.50%
5. Tom Sipiora	2	3	20.00%
6. Larry Miller	0	5	1.50%

Fall Roundup #9

Meridian

October 7, 2017

Class A

1. Rodney Pickering	4	2	34.17%
2. David Schutte	3	3	27.08%
3. David Swenson	3	3	22.50%
4. Pep Plummer	2	4	37.08%

Class B

1. Todd Van Sickle	5	1	26.67%
2. Brandon Thompson	4	2	18.33%
3. Floyd Eldred	2.5	3.5	12.08%
4. Larry Miller	.5	5.5	0.42%



Idaho Stats 2017

The following lists involve Idaho pitchers and results just from Idaho; meaning out of state pitching is not counted.

Most Tournaments Entered

Men

1.	Gary Kollmann	15
2.	Dave Schutte	13
3.	Rodney Pickering	12
4.	David Swenson	10
5.	Mike Beall	8
5.	Larry Miller	7
5.	Jim Price	7
5.	Floyd Eldred	7

Women

1.	Kay Keskinen	5
1.	Darla Wessel	5
3.	Denice Freier	4
3.	Dawna Parris	4

Elders

1.	Pep Plummer	16
2.	Jerry Smith	8
2.	Doug Palmer	8
4.	Roger Baker	5
4.	Homer Kleinsmith	5
4.	David Cazel	5

Juniors

1.	Jayce Pickering	6
----	-----------------	---

First Place finishes



1.	Gary Kollmann	9
2.	Kay Keskinen	4
3.	David Swenson	3
3.	Gary Opper	3
3.	Pep Plummer	3
3.	Rodney Pickering	3
3.	Homer Kleinsmith	3
8.	Art Ross	2
8.	Jerry Smith	2
8.	David Schutte	2
8.	Mike Beall	2
8.	Jim Price	2
8.	David Schutte	2
8.	Doug Palmer	2
8.	Mike Beall	2
8.	Fuller	2
8.	Gary Curtis	2
8.	Dan Rollins	2
8.	Teresa Brown	2
8.	David Ness	2
8.	Rusty Butterfield	2

Second Place finishes

1.	Gary Kollmann	5
1.	Pep Plummer	5
3.	Jerry Smith	4
4.	Jim Price	3
4.	Doug Palmer	3
4.	David Schutte	3
4.	Dave Cazel	3
4.	Ray Carpenter	3

High Games (one each)

1.	Gary Opper	75.00%
1.	Art Ross	75.00%
3.	Gary Kollmann	67.50%
3.	Kay Keskinen	67.50%
5.	Jim Price	66.00%
6.	Ken Fuller	62.50%
7.	Dan Rollins	60.00%
8.	Roger Baker	59.09%
9.	Laurie Dale	58.00%
10.	Rodney Pickering	57.50%
11.	Karen Wickham	57.14%
12.	Evan Pickett	55.00%

High Tournament (one each)

1.	Art Ross	66.86%
2.	Gary Opper	64.34%
3.	Ken Fuller	59.50%
4.	Gary Kollmann	58.50%
5.	Kay Keskinen	52.50%
6.	Dan Rollins	50.33%
7.	Jim Price	48.67%
8.	Laurie Dale	48.05%
9.	Karen Wickham	46.82%
10.	Evan Pickett	43.83%
11.	Rodney Pickering	43.00%
12.	Darla Wessel	43.00%

Idaho Tournaments in 2018
State Doubles:
 July 28, Pocatello, Ross Park
State Singles:
 August 25-26, Meridian, Settlers Park
 Pre-State Tournament on August 24



www.horseshoepitching.com

NHPA
 Come Pitch with Us



MEMBERSHIP APPLICATION

Idaho State Horseshoe Pitchers Association
<http://www.pitchwithus.com/idaho/>

National Horseshoe Pitchers Association
<http://www.horseshoepitching.com/>

The NHPA card is a combination membership of the state and the national horseshoe pitching associations. This card entitles you to participate in NHPA sanctioned play throughout the United States and much of Canada, where ever you meet the requirements of the event. You must pay your dues through the state charter where you maintain legal residence as determined by voting, taxes, and/or drive's license laws.

Dues are based on the calendar year. New Members may pay next year's dues after Oct. 1st of the current year and will be eligible to participate in sanctioned events for the final 3 months of the current year, as well as all of the next year. As a member of the Idaho Charter, you will receive newsletters and a schedule of all sanctioned and some non-sanctioned tournaments for the state.

Your pitching stats from all sanctioned events will be forwarded to the NHPA stats headquarters called NatStats. These stats are updated weekly and can be accessed through the NHPA website. To make all this possible, your NHPA card will have six digits followed by two decimals. Idaho is region 08, followed by four digits, which is your membership number. The two decimals represent the calendar year. The decimal and color of the NHPA card change each year. Your membership number will remain with you as long as you reside in Idaho and continue to maintain your membership. If you ever lose your NHPA card, the charter secretary will issue you a duplicate card free of charge. You need only notify the Sec./Treas.

Please fill in all information on the form below that applies to you and mail along with total amount of dues to the ISHPA Sec./Treas. (address below) Please make checks payable to: ISHPA

Carol Plummer 6823 W. Ashland Drive Boise ID 83709 idkegler@aol.com (208) 484-4685	ADULT DUES 25.00 National 10.00 State \$35.00 Total	JUNIORS & CADETS 5.00 National 1.00 State \$6.00 Total
--	---	--

(Cut along line and return this portion with your dues)

Name: _____ Phone: _____ - _____ - _____

Address: _____ Date of birth: ___/___/_____

City: _____, ID Zip: _____ E-Mail: _____

NHPA# _____ Approx. yrs. in NHPA _____ New Member → YES NO

Check one of the following:

Adult _____

Junior _____ (18 and under for the entire calendar year)

Cadet _____ (12 and under for the entire calendar year)

Check one of the following: Male _____ Female _____

Check one of the following: 40' pitcher _____ 30' pitcher _____



The National Horseshoe Pitchers Foundation

September 27, 2017

To: Pacific Northwest HPA
c/o Phyllis Quist
PO Box 517
Ferndale, WA 98248-0517

Dear Phyllis,

I want to thank Pacific Northwest HPA for its purchase of a \$100 brick in the Jack Freeman Memorial Plaza located at the National Horseshoe Pitchers Hall of Fame and Museum in Wentzville, MO. The monies the Foundation receives helps in our mission of "Building for the future while preserving the past and showcasing the present." Please thank your members for their donation.

The brick will be engraved in the fall of 2017 and located in the Washington section with the following engraving:

**PACIFIC N. W.
THE BEST IN
THE WEST 2017**

Again, thanks.

Your truly

A handwritten signature in black ink that reads "Gary F. Buehler". The signature is written in a cursive style with a long, sweeping tail on the "er" at the end.

Gary F. Buehler
Treasurer
National Horseshoe Pitchers Foundation
gbuehler@sbcglobal.net

01-17-025 Pacific Northwest Open**Class A30 Wednesday, Aug 16 2017 9:00 AM** (Rank: W/L - Rgr% - H2H - Pts)

Pos	Name	Entry %	Hcp	Card#	St	Won	Lost	Pts	Rgrs	HtH	Ovr%	Sh	R%
1.	Russ Phillips	80.15	0	10135	WA	10	0	412	301	0	10.15-	430	70.00
2.	Don Davis	63.59	0	10164	WA	8	2	392	286	0	6.39-	500	57.20
3.	Barry Chapelle	67.00	0	20001	OR	4	6	287	231	0	14.98-	444	52.03
4.	Monty McLaughlin	55.02	0	10260	WA	4	6	320	221	0	3.15-	426	51.88
5.	Les Myers	50.24	0	10202	WA	3	7	285	219	0	4.43-	478	45.82
6.	Carol Sperber	55.92	0	10002	WA	1	9	243	186	0	13.84-	442	42.08

Class B30 Saturday, Sep 16 2017 1:00 PM (Rank: W/L - Rgr% - H2H - Pts)

Pos	Name	Entry %	Hcp	Card#	St	Won	Lost	Pts	Rgrs	HtH	Ovr%	Sh	R%
1.	Jerry Conklin	44.70	0	10331	WA	8	1	349	212	0	7.51	406	52.22
2.	Karen Wickham	46.56	0	80181	ID	7	2	356	212	0	3.44	424	50.00
3.	Jim Petersen	40.91	0	20174	OR	7	2	343	188	0	2.20	436	43.12
4.	Laurie Dale	42.53	0	80210	ID	6	3	331	192	0	4.76	406	47.29
5.	Sid Gire	40.00	0	10075	WA	5	4	298	162	0	0.50	400	40.50
6.	Vic Magnus	42.77	0	10235	WA	5	4	277	144	0	6.23-	394	36.55
7.	Bob Bender	39.11	0	20142	OR	3	6	258	137	0	3.44-	384	35.68
8.	Bonnie Lewis	38.58	0	10198	WA	2	7	225	131	0	6.79-	412	31.80
9.	Doug Palmer	33.71	0	80049	ID	2	7	185	100	0	5.31-	352	28.41
10.	Gene Kuiken	36.65	0	10141	WA	0	9	178	128	0	7.16-	434	29.49

Class C30 Saturday, Sep 16 2017 9:00 AM (Rank: W/L - Rgr% - H2H - Pts)

Pos	Name	Entry %	Hcp	Card#	St	Won	Lost	Pts	Rgrs	HtH	Ovr%	Sh	R%
1.	George Kaufer	25.49	0	10231	WA	9	1	373	132	0	5.93	420	31.43
2.	Kathy Warner	19.45	0	20274	OR	8	2	357	105	0	3.47	458	22.93
3.	Sharon McLaughlin	22.24	0	10059	WA	5	5	306	102	0	1.60-	494	20.65
4.	Hollis Morris	23.09	0	10192	WA	5	5	251	68	0	8.57-	468	14.53
5.	Chuck Warner	22.38	0	20229	OR	3	7	218	70	0	8.27-	496	14.11
6.	Jim Quist	25.57	0	10130	WA	0	10	168	43	0	16.06-	452	9.51

Men B & C Saturday, Sep 16 2017 9:00 AM (Rank: W/L - Rgr% - H2H - Pts)

Pos	Name	Entry %	Hcp	Card#	St	Won	Lost	Pts	Rgrs	HtH	Ovr%	Sh	R%
1.	Russ Watkins	43.53	0	20124	OR	12	2	566	281	0	4.29-	716	39.25
2.	Jon Turnbull	43.46	0	10330	WA	11	3	517	264	0	3.10-	654	40.37
3.	Bob Sperber	43.60	0	10340	WA	10	4	557	288	0	1.62-	686	41.98
4.	Paul Quam	40.75	0	10367	WA	8	6	476	246	0	4.89-	686	35.86
5.	David Brown	35.13	0	20046	OR	7	7	451	265	0	3.05	694	38.18
6.	Curtis Lee	26.43	0	10361	WA	4	10	394	192	0	1.23	694	27.67
7.	Barry Gentle	29.49	0	10105	WA	2	12	399	221	0	2.53	690	32.03
8.	Frank Easterly	25.18	0	10243	WA	2	12	306	132	0	4.56-	640	20.63

Men D Saturday, Sep 16 2017 9:00 AM (Rank: W/L - Rgr% - H2H - Pts)

Pos	Name	Entry %	Hcp	Card#	St	Won	Lost	Pts	Rgrs	HtH	Ovr%	Sh	R%
1.	Herb Milbourn	18.68	0	10317	WA	10	1	271	75	0	2.59-	466	16.09
2.	Charlie Tapper	20.26	0	10313	WA	9	2	339	92	0	0.74	438	21.00
3.	Devon Kurtz	18.21	0	20071	OR	6	4	221	54	0	4.71-	400	13.50
4.	Thomas Wickham	5.00	0	80019	ID	2.5	7.5	106	19	0	0.78-	450	4.22
5.	Larry Hines	11.50	0	20294	OR	2	3	100	16	0	4.78-	238	6.72
6.	Chris Poe	5.00	0	10021	WA	1.5	7.5	74	9	0	2.66-	384	2.34

Idaho Horseshoe Pitchers Association

Brian Poole, President
2660 S. Fairway Dr.
Pocatello, ID 83201
208-237-3459
bjpoole3564@gmail.com



Rodney Pickering, 1st VP
5502 S. Tacoma Pl.
Boise, ID 83716
208-830-9694
rodney.pickering@yahoo.com



Brent Wood, 2nd VP
Box 646
Hailey, ID 83333
208-404-4354



Carol Plummer, Sec./Treas.
6823 Ashland Dr.
Boise, ID 83709
208-484-4685
idkegler@aol.com



Pep Plummer, Regional Director
6823 Ashland Dr.
Boise, ID 83709
208-949-8098
idkegler@aol.com



David Spears, HOF
Chairperson
1917 S Colorado Ave.
Boise, ID 83706
208-440-7132
dspears1953@gmail.com



Jerry D. Smith, State Statistician
2850 S. Benecia Way
Nampa, ID 83686
208-250-9282
horseshoepitcherjds@msn.com



Kay Keskinen, Newsletter
Editor
PO Box 8584
Moscow, ID 83843
ringergal@yahoo.com



Horseshoe Pitching: The ultimate family sport.

Get out and pitch. Get involved.

FOUR DEAD

Official Newsletter of the

IDAHO HORSESHOE PITCHERS ASSOCIATION

Carol Plummer, Sec./Treas., 208-484-4685

6823 Ashland Drive

Boise, ID 83709

idkegler@aol.com