



FOUR DEAD

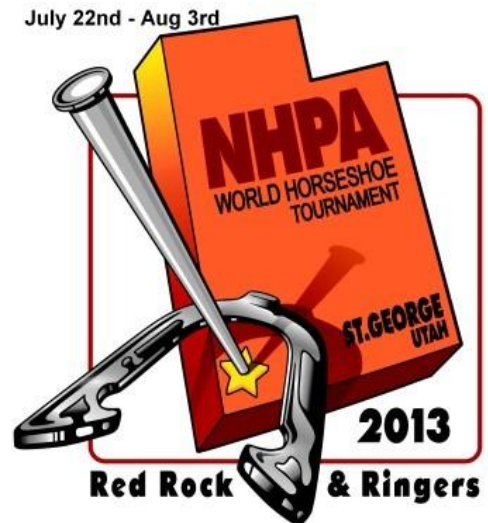
Official Newsletter of the Idaho Horseshoe Pitcher's Association



Volume XXIV, #1

Spring 2013

World Tournament 2013 St. George Utah



President's Message



I hope that everyone had a wonderful New Year! As we begin a new year, I would like to stress the importance of building our membership. We had a good increase of membership in 2012 mostly due to the upcoming World Tournament in St. George this summer. We have a great

opportunity to keep promoting horseshoes again this Spring with the World Tournament coming to St. George, Utah in 2013. Let's all have a goal to bring one person into our local associations this year and watch our number double if we all do it. What a great sport we have to share with anyone and one that anyone can compete in and easily afford to play in.

Thanks to all those that worked to get your schedules built and submitted to Jerry.

I would like to urge everyone to have a work day and get your pits in shape for this year's tournaments. Let's be proud of where we live and where we play so that it draws new pitchers into our groups.

I would also like to remind people that I am keeping a database of pits in Idaho. If you know of any please send me information on what city, street address closest to the pits and how many pits there are. I hope to get this posted to our web site this year for people to access if they are looking for pits to use.

I look forward to seeing you this summer and pitching horseshoes!

Please promote Horseshoe Pitching wherever you are and go. This is a great sport with a lot of great people. Hope to see you pitching shoes in 2013.

Brian Poole
President
ISHPA



Secretary Sez



This issue is dedicated to the 2013 World Tournament. I have decided to snail mail the issue to each member so that everyone has a "tear-away" 2013 schedule and WT application. Check the application for dates and remember that you must have at least four tournaments pitched since the 2012 deadline which was May 15, 2012. In Eastern and Western Idaho there are many tournaments planned this year before the deadline. See the schedule for dates and plan on meeting the WT qualifications.

Note to Tournament Directors As the deadline approaches, be sure and get the tournament stats into the statistician ASAP.

Jerry D. Smith, Secretary-Treasurer
2850 S. Benecia Way
Nampa, ID 83686
horseshoepitcherjds@msn.com

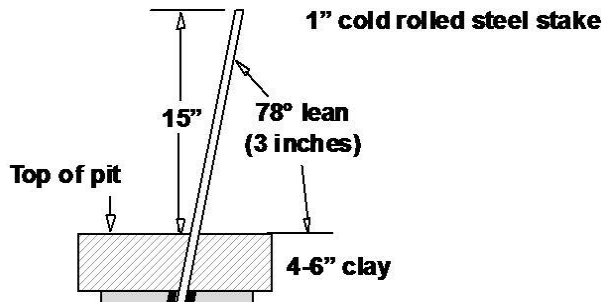


Regional Director Message: And Idaho Hall of Fame Report



Welcome to a new year and a new season of Horseshoe Pitching, I do not have much to talk about or mention from a Regional Director's standpoint other than the sanctioning of courts. I once again ask all tournament directors and others associated with the different site locations to again

please measure your pegs for distance at the ground level from the front of each peg to the opposing peg and ensure the distance is forty (40') feet and that the peg height is at a minimum of 14 inches and no higher than 15 inches from level ground level per NHPA specs. The angle should also be 3 inches at the base (ground level). As tournament directors we should all try and check the pegs at the beginning of the new season so when tournaments roll around, the courts will be in proper playing conditions for all those that travel the many miles to pitch with us.



The tournament patches will be mailed out to Pocatello, Hailey and Coeur d'Alene on Monday March 25th. When receiving the patches from Jerry last year after The World it wasn't discovered till just a few days ago that there were no sanction certificates with these patches. I had expected to be included so they aren't available yet. I have contacted Debby Michaud, our National V.P., about the situation and since there are 10 more tournaments within the state over last year I requested extra certificates and more patches as well. These should arrive soon. Once you receive your patches and certificates, if you find that you received less than what you think you need, please contact me either by email or by phone and I will resolve the situation.

Idaho Hall of Fame

Last year during the 2012 State Singles annual meeting in Meridian we inducted two worthy men into our newly formed Hall of Fame. Their names were E.J. Wiley, formerly of Nampa and Dean Curry, formerly of Lewiston. These two individuals were both multiple time State Champions, and Dean also ran tournaments in Lewiston and served multiple years as State President. This year (2013) there will be no inductions into the Hall of Fame as we will induct a minimum of two people every other year. There are many candidates that I personally feel are worthy of the honor to be in the Hall of Fame not only from the pitching side but officers and organizers/promoters as well.

Thanks and Good Pitchen in 2013,

David Spears
Regional Director



Follow the ISHPA clubs and tournaments on the ISHPA web site:

www.pitchwithus.com/idaho



ST. GEORGE RED ROCK & RINGERS 2013

HOTEL INFO

HEADQUARTER HOTELS

Headquarter Hotels are in the prime location for the NHPA World Tournament and are important sponsors of the event. These premium properties have special event rates that include a complimentary hot breakfast. Headquarter Hotels will house the NHPA officers and tournament delegates.

Hilton Garden Inn



Rate: \$99 includes hot breakfast
Phone: 435-634-4100
Distance to Tournament: Adjacent



Description: Enjoy spacious guest rooms and a restful night's sleep in our comfortable Garden Sleep System® bed. Complimentary WiFi, 37-inch TVs. In-room microwave and refrigerator and room service. Fitness center and beautiful outdoor pool.

Fairfield Inn by Marriott



Rate: \$79 includes hot breakfast
Phone: 435-673-6066
Distance to Tournament: Across the street



Description: The newly renovated Fairfield Inn St. George guest rooms are full of thoughtful amenities, including free wireless internet, local calls, a well-lit work desk and 32" TV, HBO, fitness center and pool. Get started each morning with a complimentary "Early Eats" breakfast!

HOST HOTELS

The following Host Hotels have blocked rooms with special NHPA rates that include a complimentary hot breakfast. Host Hotels are clean, reputable properties that help to sponsor the NHPA World Tournament.

St. George Inn & Suites

Rate: \$59 includes hot breakfast
Phone: 435-673-6661
Distance to Convention Center: 0.8 miles

Best Western Coral Hills

Rate: \$79 includes hot breakfast
Phone: 435-673-4844
Distance to Convention Center: 2.8 miles

Hampton Inn

Rate: \$89 includes hot breakfast
Phone: 435-652-1200
Distance to Convention Center: 3.0 miles

Holiday Inn Express

Rate: \$75 includes hot breakfast
Phone: 435-986-1313
Distance to Convention Center: 10.7 miles

Clarion Suites

Rate: \$79 includes hot breakfast
Phone: 435-673-7000
Distance to Convention Center: 0.8 miles

Courtyard by Marriott

Rate: \$99 includes hot breakfast
Phone: 435-986-0555
Distance to Convention Center: 3.3 miles

Lexington

Rate: \$75 includes hot breakfast
Phone: 435-628-4235
Distance to Convention Center: 1.2 miles

La Quinta

Rate: \$79 includes hot breakfast
Phone: 435-674-2664
Distance to Convention Center: 2.0 miles

TownPlace Suites by Marriott

Rate: \$99 includes hot breakfast
Phone: 435-986-9955
Distance to Convention Center: 3.3 miles

Crystal Inn

Rate: \$75 includes hot breakfast
Phone: 435-688-7477
Distance to Convention Center: 0.9 miles

Ramada

Rate: \$79 includes hot breakfast
Phone: 435-628-2828
Distance to Convention Center: 2.9 miles

Wingate Hotel

Rate: \$99 includes hot breakfast
Phone: 435-673-9608
Distance to Convention Center: 2.2 miles

Best Western Abbey Inn

Rate: \$79 includes hot breakfast
Phone: 435-652-1234
Distance to Convention Center: 0.8 miles



ST. GEORGE RED ROCK & RINGERS 2013

CAMPGROUND INFO

ST. GEORGE AREA CAMPGROUNDS

CAMPGROUND	ADDRESS / PHONE	DRIVE	UNITS	30 AMP	50 AMP	RATES	INFO
SNOW CANYON STATE PARK	1002 Snow Canyon Dr Ivins, UT 84738 435-628-2255 801-322-3770 - reservations 800-322-3770 - reservations www.stateparks.utah.gov	8.4 mi	31			\$16+/day	Water & electric available. 7,400-acre desert park. 16 miles of hiking trails, technical rock climbing, horseback riding, year-round camping, nature studies, wildlife viewing, and photographic opportunities galore.
QUAIL CREEK STATE PARK	472 N 5300 W Hurricane, UT 84737 435-879-2378 - main number 801-322-3770 - reservations 800-322-3770 - reservations www.stateparks.utah.gov	14 mi	16			\$15/day	No hook ups. Quail Creek Reservoir lures boaters and anglers year-round. Anglers fish for rainbow trout and bass. Water, toilets, picnic.
GUNLOCK STATE PARK c/o Sand Hollow State Park	4405 West 2600 South Hurricane, UT 84737 435-680-0715 - main 801-322-3770 - reservations 800-322-3770 - reservations www.stateparks.utah.gov	15 mi	5			\$13/day, primitive	In scenic red rock country lies Gunlock Reservoir, where boating, water sports and quality fishing for largemouth bass, crappie, and catfish attract visitors.
RED CLIFFS CAMPGROUNDS	5 miles NW of St. George in Leeds, Utah 435-688-3200 www.blm.gov	16.7 mi	10			\$8/day	Primitive with no hookups. RV, tent, bath rooms, water, red rock hiking, small stream.
SAND HOLLOW STATE PARK	3251 South Sand Hollow Rd Hurricane, UT 84737 435-680-0715 - main number 801-322-3770 - reservations 800-322-3770 - reservations www.stateparks.utah.gov	19 mi	79	X	X	\$15 primitive \$18 no hookups \$25+ full hook	Boat and fish on beautiful blue Sand Hollow Reservoir, explore and ride the dunes of Sand Mountain on an off-highway vehicle, then RV or tent camp in one of two developed campgrounds. Anglers fish for bass, bluegill, and crappie.

PINE MOUNTAIN AREA CAMPGROUNDS

CAMPGROUND	ADDRESS / PHONE	DRIVE	UNITS	30 AMP	50 AMP	RATES	INFO
BAKER RESERVOIR	25 mi N of St. George off Hwy 18 Enterprise, UT 84725 435-688-3200 www.blm.gov	25 mi	19			\$6	Primitive with Toilets & Picnic, hiking, fishing
PINE VALLEY RECREATION AREA	32 mi N of St. George off Hwy 18 Pine Valley, UT 84781 877-444-6777	32 mi	70			\$12+	6,500 ft. elevation amid tall ponderosa pines. RV, tent, picnic, grills, water, toilets, hiking, fishing.
ENTERPRISE RES, HONEYCOMB ROCKS CAMPGROUND	9 miles SW of Enterprise, Enterprise, UT 84725 435-688-3246	50 mi	20			\$9	RV, tent, picnic, grills, water, toilets, boating, fishing, hiking, alpine wilderness, 5800 ft. elevation.



ST. GEORGE RED ROCK & RINGERS 2013

RV PARK INFO

HEADQUARTER RV PARK

Rate: \$39/day, \$273/week
Phone: 435-673-6400
Distance to Tournament: 1 mile
www.TempleViewRV.com



Temple View RV Park

Temple View RV Park is a beautiful park in the prime location for the NHPA World Tournament. As an important sponsor of the event, Temple View has reserved spaces for tournament participants at a special NHPA rate of \$39.00/night, \$273/week. The park is just one mile from the Convention Center and will be a hub for tournament-related activities.



Temple View RV Park

ST. GEORGE AREA RV PARKS

CAMPGROUND	ADDRESS / PHONE	DRIVE	UNITS	30 AMP	50 AMP	RATES	INFO
TEMPLE VIEW RV	975 South Main St. George, UT 84770 435-673-6400 www.templeviewrv.com	1 mi	260	X	X	\$39/day \$273/week	Cable TV hook-ups at all sites. All sites accommodate 45' length with slide-outs. Tenting area. WiFi. Showers. Pool. Laundry. Rec Rooms. Fitness Center.
ST. GEORGE RV	2100 E Middleton Dr St. George, UT 84770 435-673-2970	6 mi	133	X	X	\$27+/day	All pull thru sites, power, water, cable & shade.
ZION WEST RV	175 South Valley Rd Leeds, UT 84746 435-879-2854 www.zionwestrv.com	17 mi	40	X	X	\$30+/day \$178/week	Country quiet setting, large pull thru sites, showers, laundry, free WiFi & cable. All sites shaded.
WILLOWIND RV	Hwy 9 - 1150 W 80 S Hunnicane, UT 84737 435-635-4154 www.willowindrvpark.net	18.5 mi	173	X	X	\$33+/day \$170/week	Free WiFi & cable, shady sites with grass, showers, laundry, tent sites.
ZION RIVER RV RESORT	Milepost 19 Hwy 9 Virgin, UT 84779 435-635-6594 1-800-638-6594 www.zionriverresort.com	27.8 mi	124	X	X	\$48+/day \$286+/week	Near Zion National Park, concrete pads, campfire rings, laundry, free WiFi, cable TV, camper cabins, tent sites, game room, store, showers, pool/spa, playground.

Schedule for 2013

Date	Place	Name	Contact	Signin
Mar. 23	Pocatello	WT Qualifier #1	Rim Rock Steve 221-8345	10:00
Mar. 30	Pocatello	WT Qualifier #2	Rim Rock Steve 221-8345	10:00
April 6	Pocatello	WT Qualifier #3	Rim Rock Steve 221-8345	10:00
April 13	Pocatello	WT Qualifier #4	The Pocket Juan Hernandez	
April 13	Nampa	Spring Fling #5	Jerry 467-2524	9:30
April 14	Nampa	Spring Fling Special	Jerry 467-2524	9:30
April 20	Pocatello	WT Qualifier #5	Rim Rock Steve 221-8345	10:00
April 27	Pocatello	Warm-up for the World	Brian 237-3459	10:00
April 27	Meridian	WT Qualifier #1	Floyd 871-6856	9:30
April 28	Meridian	WT Qualifier #2	Floyd 922-6856	9:30
May 4	Boise	Bill Travis Memorial #10	David 695-8362	9:30
May 11	Coeur d'Alene	North Idaho Jamboree	Glen 691-0784	8:30
May 18	Meridian	Meridian Parks & Recs	Shari 922-4768	9:30
June 1	Pocatello	Rim Rock Flop	Dave 221-7641	10:00
June 1	Nampa	Nampa Classic #2	Jerry 467-2524	9:30
June 15	Meridian	Meridian Open #2	Floyd 871-6856	8:30
June 15	Pocatello	Juneteenth/Utah Invit.	Jim 232-8007	10:00
June 22	Boise	NHPF Benefit #5	David 695-8362	8:30
June 22	Coeur d'Alene	Elmer Currie Classic	Glen 661-0784	8:30
June 29	Hailey	Wood River Open	Brent 404-4354	10:00
July 13	Meridian	Don Titcomb Memorial	Bob 860-6772	8:30
July 13	Pocatello	Idaho State Doubles	Bob 233-2358	10:00
July 22-Aug 3	St. George	World	NHPA 262-835-9108	
Aug. 10	Coeur d'Alene	Inland Empire Memorial	Glen 691-0784	8:30
Aug. 10	Pocatello	9th Portneuf Valley Shootout	Larry 604-3593	10:00
Aug. 10	Meridian	Senior Games 50 and over	Jerry 467-2524	9:00
Aug. 17	Nampa	NHPF Benefit #6	Jerry 467-2524	8:30
Aug. 24/25	Pocatello	Idaho State Championships	Jerry 467-2524	8:30
Sept 21	Nampa	Parks & Recs. #3*	Gary 466-8096	9:30
Oct. 5	Boise	Fall Roundup #5	David 695-8362	9:30
Oct. 12	Meridian	* Pumpkin Shootout #2*	Gary 863-8196	9:30
Oct. 13	Meridian	* Pumpkin Special	Gary 863-8196	9:30
Oct. 19	Nampa	7th Last Chance	Gary 466-8096	9:30
Nov. 2	Meridian	Freeze Out Special #3	Bob 860-6772	10:30

All Nampa Boise and Meridian entry fees are \$2.00 except Benefits & Senior Games (\$20.00).

Most Pocatello tournaments are \$20.00 including lunch.

Northern tournaments have \$15.00 entry fees and include lunch.

State Singles and World are pre-registered. State costs \$20.00, World \$125.00.

Pocatello summer leagues are on Tuesday and Thursdays. Contact Jim for Info @ 221-4245.

Meridian league is on Tuesday nights. No fee. Contact Floyd @ 871-6856.

Boise league is on Wednesday nights. No fee. Contact David @ 250-3407.

Nampa league is on Thursday nights. No fee. Contact Gary @ 466-8096.

Leagues start in mid-April, check weather.

* These tournaments are scheduled to be non-mixed, if possible

Idaho Horseshoe Pitcher's Association

Brian Poole, President
2660 S. Fairway Dr.
Pocatello, ID 83201
208-237-3459
brian.poole@itd.idaho.gov



Glen Wessel, 1st VP
10626 E. Raven Ridge Rd.
Coeur d'Alene, ID 83814
208-691-0784
gwessele10@peoplepc.com



Brent Wood, 2nd VP
Box 646
Hailey, ID 83333
208-404-4354



Jerry D. Smith, Sec./Treas.
State Statistician
2850 S. Benecia Way
Nampa, ID 83686
208-467-2524
horseshoepitcherjds@msn.com



Kay Keskinen, Assistant
Editor
PO Box 8584
Moscow, ID 83843
ringergal@yahoo.com



David Spears, Regional
Director
845 E. 16th N.
Mountain Home, ID 83647
208-695-8362
ringerguy@gmail.com



Horseshoe Pitching: The ultimate family sport.

Get out and pitch. Get involved.

FOUR DEAD
Official Newsletter of the
IDAHO HORSESHOE PITCHER'S ASSOC.
Jerry D. Smith, Editor 208-467-2524
2850 S. Benecia Way
Nampa, ID 83686
horseshoepitcherjds@msn.com